



RECORD THIS UNIT INFORMATION FOR FUTURE REFERENCE:
Model Number _____
Serial Number _____
Date Purchased _____

Dometic Propane Built-In Cooktops and Sinks

USA
SERVICE OFFICE
Dometic Corporation
2320 Industrial Parkway
Elkhart, IN 46516
574-294-2511
CANADA
Dometic Corporation
46 Zatonski, Unit 3
Brantford, ON N3T 5L8
CANADA
519-720-9578

For Service Center
Assistance Call:
800-544-4881



⚠ WARNING

This manual must be read and understood before installation, adjustment, service, or maintenance is performed. This unit must be installed by a qualified service technician. Modification of this product can be extremely hazardous and could result in personal injury or property damage.

⚠ AVERTISSEMENT

Lire et comprendre ce manuel avant de procéder à l'installation, à des réglages, de l'entretien ou des réparations. L'installation de cet appareil doit être effectuée par un réparateur qualifié. Toute modification de cet appareil peut être extrêmement dangereuse et entraîner des blessures ou dommages matériels.

INSTALLATION & OPERATING INSTRUCTIONS

**2BR-1066048
2BR-1066050
2BR-1066053
2BR-1066057
3BR-1040132
3COMBI-8901
SK-1078019
SK-1078019-01**

Form No. 3311832.038
(Replaces 3311832.020)
(French 3311833.028)
© Dometic, LLC
LaGrange, IN 46761
Date Issued: 2012-01

3311832.038

2BR-1066048
2BR-1066050
2BR-1066053
2BR-1066057
3BR-1040132
3COMBI-8901
SK-1078019
SK-1078019-01

USA



Installation and Operating Instructions for Dometic Propane Built-in-Cooktops and Sinks

Maximum gas supply pressure: 11 inch (27,94 mm) wc.

Gas supply pressure for checking of the regulator setting: 12 inch (30,48 mm) wc.

The installation must conform with state or other codes or, in the absence of such codes, with the Standard for Recreational Vehicles, ANSI/NFPA 1192 and for Recreational Vehicle Cooking Gas Appliances ANSI Z21.57-2010.

WARNING: If the information in this manual is not followed exactly, a fire or explosion may result causing property damage, personal injury or death.

- Do not store or use gasoline or other flammable vapors and liquids in the vicinity of this or any other appliance
- **WHAT TO DO IF YOU SMELL GAS**
 - Do not try to light any appliance and do not use any naked flame.
 - Under no circumstances attempt to find the leak with the aid of a naked flame.
 - Do not touch any electrical switch.
 - Do not use any phone in your recreational vehicle.
 - Clear the recreational vehicle of all occupants.
 - Turn off the gas supply tank valve(s) and/or main gas supply.
 - Immediately call your gas supplier for instructions.
 - If you cannot reach your gas supplier, call the fire department.
- Have the gas system checked and leakage source corrected by a qualified installer, service agency, manufacturer or dealer or the gas supplier (an expert gas specialist).
- Any alteration to the appliance can be dangerous and is not permitted.
- Some parts of the appliance can become very hot: keep children away.

WARNING:

The installation of this appliance must only be carried out by an authorized specialist. Authorized gas specialists are those experts, whose training, knowledge and practical experience guarantee that they will carry out the inspection and work correctly.

Attention: the installer is responsible to leave this manual with the appliance!

Attention: the consumer has to retain the manual for future reference!

Please read these operating instructions carefully before using the appliance .

1. Validity

These instructions apply to the  **Dometic** Built-in-Cooktops EK2000.

2. Installation and connection of the appliance

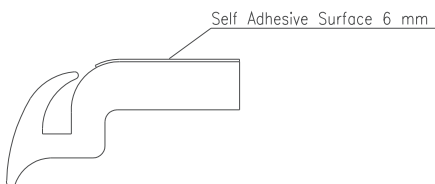
2.1 Instructions for Drop in and Sealing into Kitchen Worktop of Dometic Sinks, Sink and Drainer Combinations, Cooker-Sink Combinations and Cooktops.

All the above mentioned appliances are to be dropped into the kitchen worktop.

Saw or mill into the worktop the contour necessary for the installation of the drop-in-appliance according to the cut-out drawing provided for every appliance.

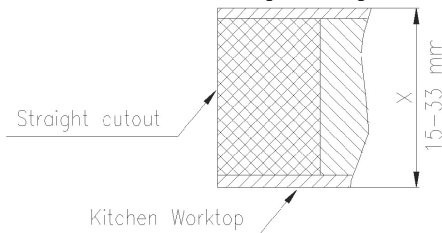
The cut-out into the worktop is different according to the two different installation rubber profiles available:

2.1.1 Installation profile „on top of table“ to picture No.1 as shown below:



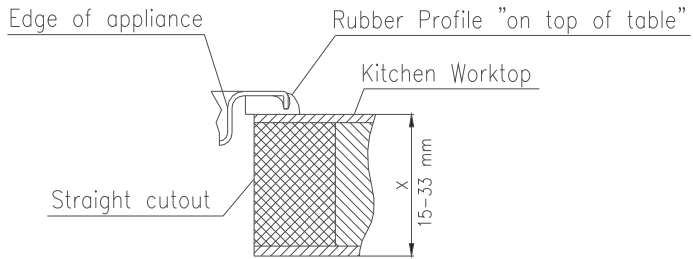
Picture No. 1

2.1.1.1 The cutout for this profile has to be sawed or milled straight following the below Picture No. 2:



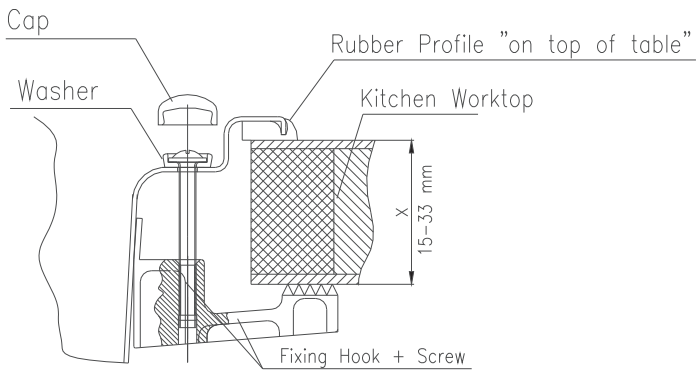
Picture No. 2

2.1.1.2 The profile is self adhesive. Please take off the plastic strip on the adhesive surface and glue the profile under the edge of the appliance as per picture No. 3 shown below. Make sure that the edge of the appliance is well placed between the two lips of the profile.

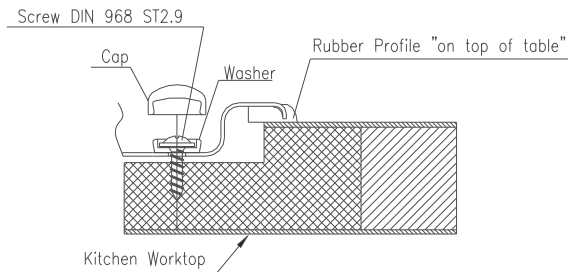


Picture No. 3

2.1.1.3 Drop the appliance with glued profile onto cutout of worktop and fix the appliance by the hook- or screw-system following the pictures No. 4 (for the hook fixing) and No. 5 (for the screw fixing):



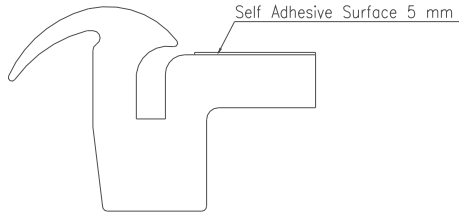
Picture No. 4



Picture No. 5

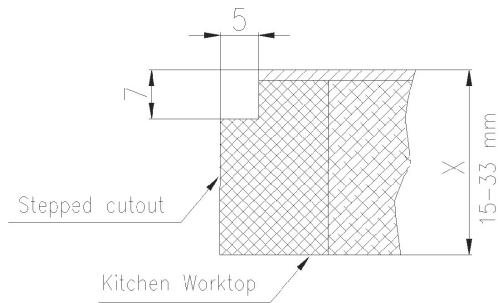
2.1.1.4 The appliance installed with the profile „on top of table“ will have its edge 4 mms above the surface of worktop.

2.1.2 Installation profile „flush“ to Picture No. 6 as shown below:



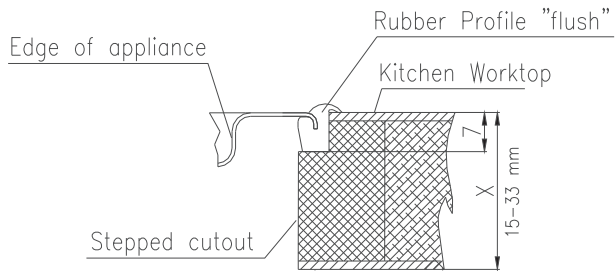
Picture No. 6

2.1.2.1 The cutout for this profile has to be milled stepped following the below picture No. 7:



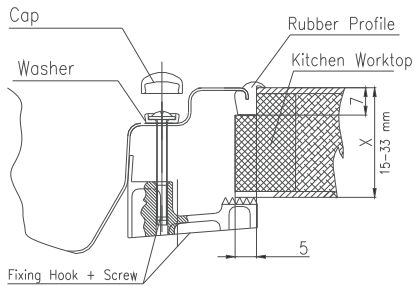
Picture No. 7

2.1.2.2 The profile is self adhesive. Please take off the plastic strip on the adhesive surface and glue the profile under the edge of the appliance as per picture No. 8 shown below. Make sure that the edge of the appliance is well placed between the two lips of the profile.

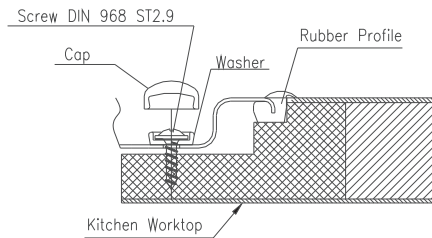


Picture No. 8

2.1.2.3 Drop the appliance with glued profile into cutout of worktop and fix the appliance by the hook- or screw-system following the pictures No. 9 (for the hook fixing) and No. 10 (for the screw fixing):



Picture No. 9



Picture No. 10

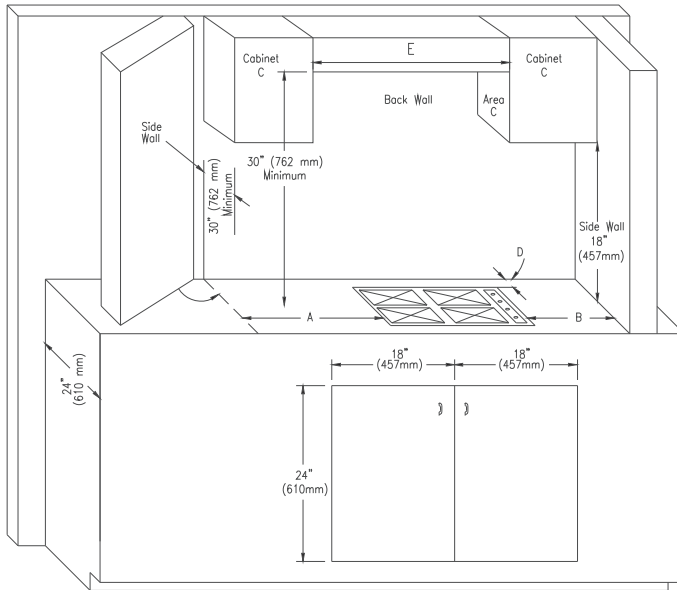
- 2.1.2.4 The appliance installed with the profile „flush“ will have its edge flush with the worktop.
- 2.1.3 The minimum distance between the front edge of the countertop and the cutout opening for the appliance must be so, that the appliance with its sealing profile safely rests on the countertop 1" (25.4 mm).
- 2.1.4 The minimum distance between two separate appliances installed into the same Countertop is so, that the edges of the appliances after installation should not be closer to each other than ½ in (12 mm).

2.2 Installation of the Appliance and Distances.

When installing and connecting the appliance, the regulations, relevant to the latest national technical developments, must be complied, for the cooking appliances the American National Standard For Recreational Vehicle Cooking Gas Appliances ANSI Z21.57-2010. The appliance must be safely and securely installed in the appropriate position in the cutout of the kitchen worktop, using the accompanying fitting and sealing materials.

Gas pipes and gas connections must not be used as fixing material.

When fitting the appliance, the following minimum distances must be maintained, as illustrated in the picture No.11.



Picture No.11

Dimensions A, B and D (see picture No.11):

- The minimum distance from the edge of the appliance to the combustable left side is 2", right side is 0" and rear is 0".
- The minimum distance E is the nominal width of the stove.
- The minimum clearance above the top is 30" (762mm). This clearance above the top maybe 19½" only when a vent hood is installed in accordance with ANSI/NFPA 1192 and CSA Z240.

Dimension under the appliance:

- For appliances without a grill fitting a minimum distance from the bottom/lowest part of the appliance of 10 mm must be respected.

The maximum depth of cabinets installed above cooking appliances is 13 in (330 mm).

2.3 Ventilation of the Cooktop.

Ventilation openings with a cross-section of at least 7.5 cm² are necessary below the cooking appliance, to allow the escape of heat. The minimum recommended height of the ventilation openings is 5 mm. The openings must therefore be at least 6 in (150 mm) x 0.2 in (5 mm).

The ventilation openings may be located on the side, at the front or the back of the kitchen cabinet.

2.4 Pressure Regulator

The cooking appliance is supplied with a nonadjustable pressure regulator for 11 inch gas pressure, fixed to the gas inlet pipe, which reduces the bottle pressure on the working pressure of the appliance.

3. Initial Operation of the Appliance

3.1. Open the gas-bottle valve.

3.2. Open the cooktop shut-off valve.

3.3. The Dometic burners are equipped with a thermo-electric flame failure device. This special safety device makes sure that in any case of any extinguishing of the flame, be it intended or not intended, the gas flow is shut off automatically. The existence of this safety device makes the procedure of lighting the burner a bit more complicated than the lighting of a burner without this device. Therefore carefully follow the following instructions.

3.4. Turn the control knob of the relevant burner from the off-position (0-mark) anticlockwise to maximum (Big flame). (see picture No.1)

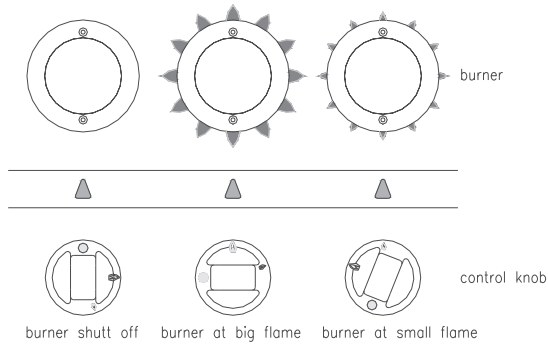
3.5. Push the knob in and hold it in this position.

3.6. Ignite the burner on high flame position with a match or other suitable ignition device.

3.7. If the burner ignites hold the knob pushed in for approximately 10 seconds.

3.8. The knob may now be released and set to the required burner position. (see picture No.1)

3.9. The entire ignition process should be clearly visible from above and not obstructed by cooking utensils.



Picture No.1

4. Switching off the Appliance.

- 4.1. Turn the control knob to the off-position, (0-mark) to extinguish the burner (see picture No.1).
- 4.2. Close the cooktop shut-off valve.
- 4.3. Close the bottle valve during longer periods of non-operation.

5. Action in Case of Faults

If a fault occurs the appliance must be switched off (see above) and a specialist consulted. (see warning first page)

6. Correct Use of the Cooktop

6.1. Cooking Utensils

6.1.1. Care should be taken that utensils are placed in the middle of the ring.

WARNING The flame size should be adjusted so it does never extend beyond the edge of the cooking utensil. This instruction is based on safety considerations.

6.1.2. Utensils with misshapen/distorted bases must not be used .

6.1.3. The different burners on the cooking appliances may be equipped with pan supports of different diameter. The cooking utensils shall not have bigger diameters than the pan supports.

6.2. Air Supply

6.2.1. Ventilation openings with a cross section of at least 150 cm² are essential in the room where the cooktop operated during operation of the burner(s).

These openings may be closable but must be open during operation of the burner(s).

WARNING: During use of gas cooking appliances the closable ventilation openings in the vehicle must remain open.

6.2.2. The combustion air supply should be checked from time to time and cleaned if necessary.

6.2.3. **WARNING:** The glass lids on the Dometic cooking appliances are no cooking surfaces. The top cover must be open when a burner is in operation. See the relative warning label on the glass lid:

Warning: This is not a cooking surface. Glass lid must be fully raised when any burners are alight.

WARNING:

- The burners must not be used for space heating to heat or warm the room. Doing so may result in carbon monoxide poisoning and overheating of the oven.
- The burners must not be operated during refuelling or in garages.
- Keep appliance area clear and free from combustible materials, gasoline and other flammable vapors and liquids.
- Do not obstruct the flow of combustion and ventilation air.
- Visually check the burner flames, which shall burn clean and all around the burner.
- Should control knobs no more be turnable easily, do not use this burner any more and call the specialist.

7. Instructions for Long Periods of Non-Operation

- 7.1. Turn the knobs to the off-position (0-mark)
- 7.2. Close the cooktop shut-off valve.
- 7.3. Close the bottle valve.
- 7.4. After a long period of non-operation the appliance should be examined by a specialist.

8. Care and Cleaning of the Appliance

- 8.1. A standard cleansing agent can be used to clean the appliance. To avoid damage, the outer surface of the appliance should be cleaned using only a damp cloth without the addition of chemical or granular cleansing agents.
- 8.2. The burner head(s) must not be dismantled when cleaning the appliance.
- 8.3. Care must be taken that cleanser does not spill into the burner(s).
- 8.4. After longer journeys the appliance should be examined for any obvious damage or loose parts.

9. Maintenance

- 9.1. For safety reasons it is essential that the appliance be examined annually by a specialist for fault-free operation and any faults eliminated. Authorized gas specialists are those experts, whose training, knowledge and practical experience guarantee that they will carry out the inspection and work correctly.
- 9.2. The following functions, in particular, should be checked during the annual service:
 - Gas leak test.
 - Inspection of burner safety and flame stability.
 - Inspection of fresh air supply.
 - Inspection of the safety and control fittings (burner taps).
- 9.3. If the flame openings of the burnerheads become dirty or blocked, they must be cleaned.
- 9.4. The thermo-couple must not be dirty and the correct distance between the burner head and the thermo-element must be maintained (ca 2-4 mm).
- 9.5. The propane supply system of appliances used in recreational vehicles should be tested by a specialist before initial operation and every two years thereafter, for tightness and function. A test conformance certificate should be issued by the specialist. It is the user's responsibility to arrange these tests.
- 9.7. The appliance and its individual shutoff valve must be disconnected from the gas supply piping system during any pressure testing of that system at test pressures in excess of ½ psi (3.5 kPa).
- 9.8. The appliance must be isolated from gas supply piping system by closing its individual manual shutoff valve during any pressure testing of the gas supply piping system at test pressures equal to or less than ½ psi (3.5 kPa).
- 9.9. Leak testing of the appliance shall be conducted according to the manufacturer's instructions.

10. For replacement parts contact:

DOMETIC CORPORATION
Sales and Marketing
2320 Industrial Parkway
Elkhart, IN 46516
Telephone: 574-294-2511
Telefax: 574-293-9686

11. Manufacturer:

DOMETIC CRAMER SR s.r.o.
Tehelná 8 • SK - 986 01 Filákovo, Slovak Republic
Telephone: 00421-47-4319236
Telefax: 00421-47-4319144



LIMITED TWO-YEAR WARRANTY DOMETIC STOVES/SINKS/FAUCETS

**THE SELLER NAMED BELOW MAKES THE FOLLOWING WARRANTY WITH
RESPECT TO THE DOMETIC PRODUCT:**

1. This warranty is made only to the first purchaser (herein after referred to as the "Original Purchaser") who acquires the product for his own use and is installed and operated within the continental United States and Canada.
2. This warranty will be in effect for two years on parts, labor and freight from the date of purchase by the Original Purchaser. It is suggested that the original purchaser retain a copy of the dated bill of sale as evidence of the date of purchase.
3. This warranty covers only specified parts, which shall be free from defects in material and workmanship under normal use. This warranty does not cover conditions unrelated to the material and workmanship of the product. Such unrelated conditions include, but are not limited to: (a) damage not reported within the first 7 days of ownership; (b) faulty installation or installation that does not comply with RVIA standards, and any damage resulting from such; (c) the need for normal maintenance and any damage resulting from the failure to provide such maintenance; (d) failure to follow Sellers instructions for use of product; (e) any accident to or misuse of any part of this product and any alteration by anyone other than the Seller or its authorized representative; (f) any non-Dometic parts that are installed as replacement parts will void any warranty (implied or written); (g) blow out conditions; (h) cosmetic issues caused during installation; (i) animal or insect infiltration which damages unit or inhibits performance.

4. The specified parts covered by this warranty are as follows: Major components (motor and switches) are covered for parts, labor and freight for two years from date of purchase. All other components that fail must be reported within the first 90 days of ownership in order to receive coverage of parts, freight and labor under warranty. The specified parts not covered by this warranty are as follows: (lights, filters, and cosmetic defects caused during installation or from abuse or misuse).
5. In order to obtain the benefits of this warranty, the original purchaser must return the product which is found defective to the Seller named below or to a Dometic Authorized Service Center during the period that this warranty is in effect. The original purchaser is responsible for all charges incurred in delivery of the product to the Seller or Dometic Authorized Service Center, and in pick up after the warranty service has been completed. To obtain the location of the nearest Authorized Service Center, please call 1-800-544-4881 or in Canada call 1-519-653-4390.
6. Any item returned in the manner described in paragraph 5 will be examined by the Seller or the Authorized Dometic Service Center. If it is found that the returned item was defective in material and workmanship, the Seller or the Authorized Dometic Service Center will repair the product per the terms outlined in paragraph 4. **CONFIRM THE SERVICE AGENCY IS AN AUTHORIZED DOMETIC SERVICE CENTER. DO NOT PAY THE SERVICE AGENCY FOR WARRANTY REPAIRS. SUCH PAYMENTS WILL NOT BE REIMBURSED.**
7. The Seller does not authorize any person or company to create any warranty obligations or liability on their behalf. This warranty is not extended by the length of time which you are deprived of the use of the product. Repairs and replacement parts provided under the terms of this warranty shall carry only the non-expired portion of this warranty.
8. In no event shall either seller be liable for incidental or consequential damages. This includes any damage to another product or products resulting from such a defect. Some states do not allow the exclusion or limitation of incidental or consequential damages, so the above limitations may not apply.
9. Any implied warranty, including the implied warranty of merchantability and fitness for any purpose, is limited to the duration of this limited warranty. Some states do not allow limitations on how long an implied warranty can last, so the above limitation may not apply.
10. **THIS WARRANTY GIVE SPECIFIC LEGAL RIGHTS, YOU MAY ALSO HAVE OTHER RIGHTS WHICH VARY FROM STATE TO STATE.** No action to enforce this warranty shall be commenced later than ninety (90) days after the expiration of the warranty period. Claims must be submitted in writing to the Dometic Warranty Department for arbitration.
11. All products (except those specifically built for commercial use) are warranted only when installed on vehicles built to R.V.I.A 119.2 and C.R.V.A, Z-240 Standards.
12. The Seller reserves the right to change the design of any product without notice and with no obligation to make corresponding changes in products previously manufactured.

DOMETIC, LLC
Warranty Department
2320 Industrial Parkway
Elkhart, Indiana 46516
Phone: 574-294-2511
Fax: 574-389-3955